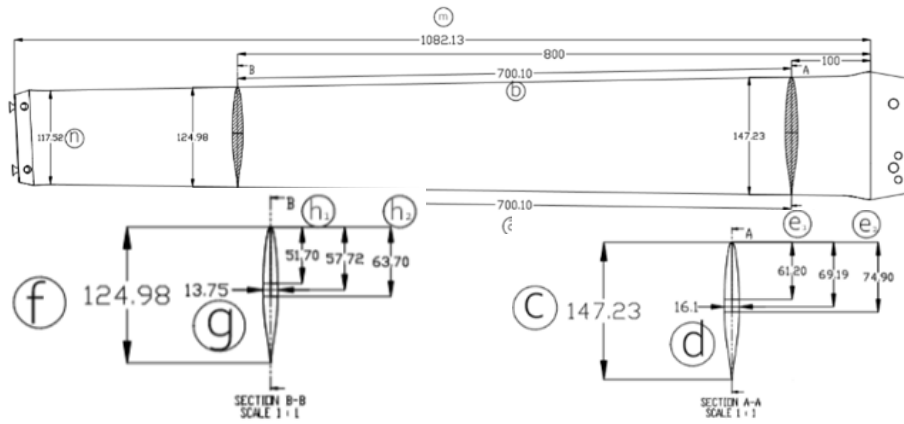


**Brand:** TAAROA  
**Model:** CMA 108  
**Year:** 2020



Measurement	Registered IKA Tolerance	IKA Min	IKA Max
Date			
Order Number			
Worker			
Serial No.			
Mold Number			
Status			
Weight Mast [g]	2115 +/- 5 %	2009	2221
Mast m (max length) in mm	1082 +/- 2 mm	1080	1084
Mast a (length LDE) in mm	700 +/- 2 mm	698	702
Mast b (length TDE) in mm	700 +/- 2 mm	698	702
Mast c (Chord AA) in mm	147,23 - 1 mm	146,23	147,23
Mast d (Max profile AA) in mm	16,1 +/- 0,5 mm	15,6	16,6
Mast e (Profile depth AA ) in mm	69,19 +/- 6 mm	63,19	75,19
Mast f (Chord BB) in mm	124,98 - 1 mm	123,98	124,98
Mast g (Max profile BB) in mm	13,75 +/- 0,5 mm	13,25	14,25
Mast h (Profile depth BB ) in mm	57,72 +/- 6 mm	51,72	63,72
Mast n (Minimum chord ) in mm	117,52 - 1 mm	116,52	117,52